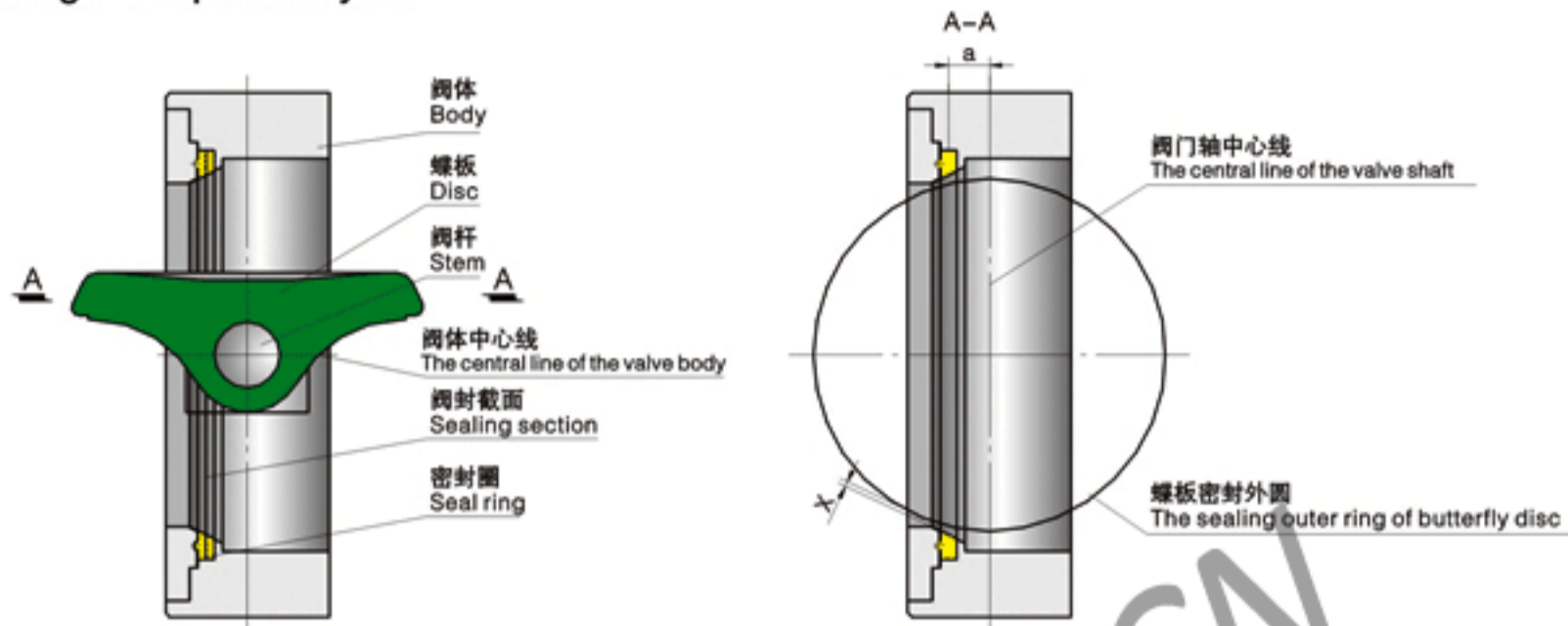


密封原理分析 Sealing Principle Analysis



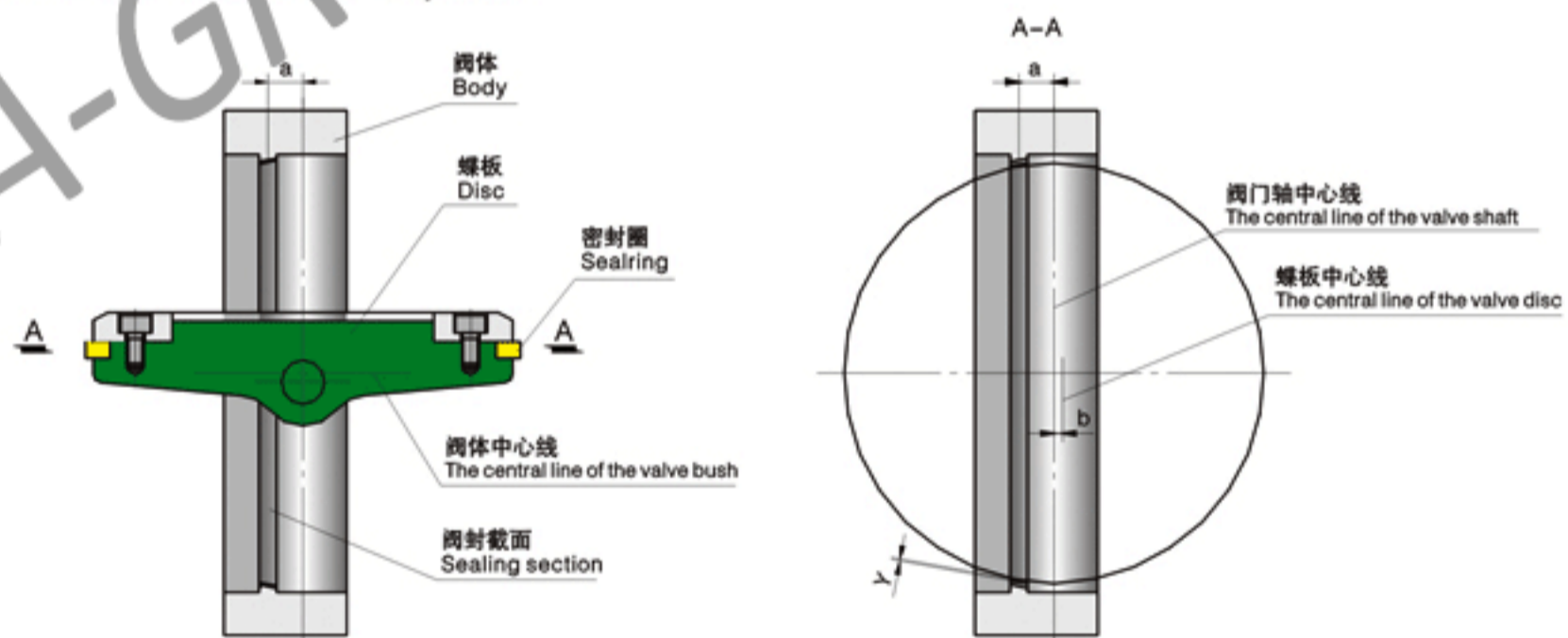
单偏心密封蝶阀密封结构  
The sealing structure of single eccentric seal butterfly valve

1、单偏心密封蝶阀的密封原理

由于蝶板的回转中心(即阀门轴中心)与蝶板密封截面按a偏心设置,使得蝶阀在开启过程中,蝶板密封面逐渐脱离阀座密封面,蝶板转动至 $20^{\circ} \sim 25^{\circ}$ 时,蝶板密封面完全脱离阀座密封面,完全开启时,两密封面之间形成间隙X,从而使得蝶阀在启闭过程中,两密封面之间相对机械磨损及挤压大为降低,从而保证了蝶阀的密封。

1. The sealing principle of single eccentric butterfly valve

As the center of gyration of the disc (the center of valve spindle) and the sealing section of the disc are set up in eccentric(a), it makes the sealing section of the disc gradually separate from the sealing section of the valve seat in the course of opening the butterfly valve, when the disc revolves to  $20^{\circ} \sim 25^{\circ}$ , the sealing section of disc will completely brake away from the sealing section of the valve seat, and when completely opened, a gap X will be formed in two sealing sections, thus making the relative mechanical wear and extrusion decrease between two sealing section, and ensure the seal of butterfly valve.



双偏心密封蝶阀密封结构  
The sealing structure of double eccentric seal butterfly valve

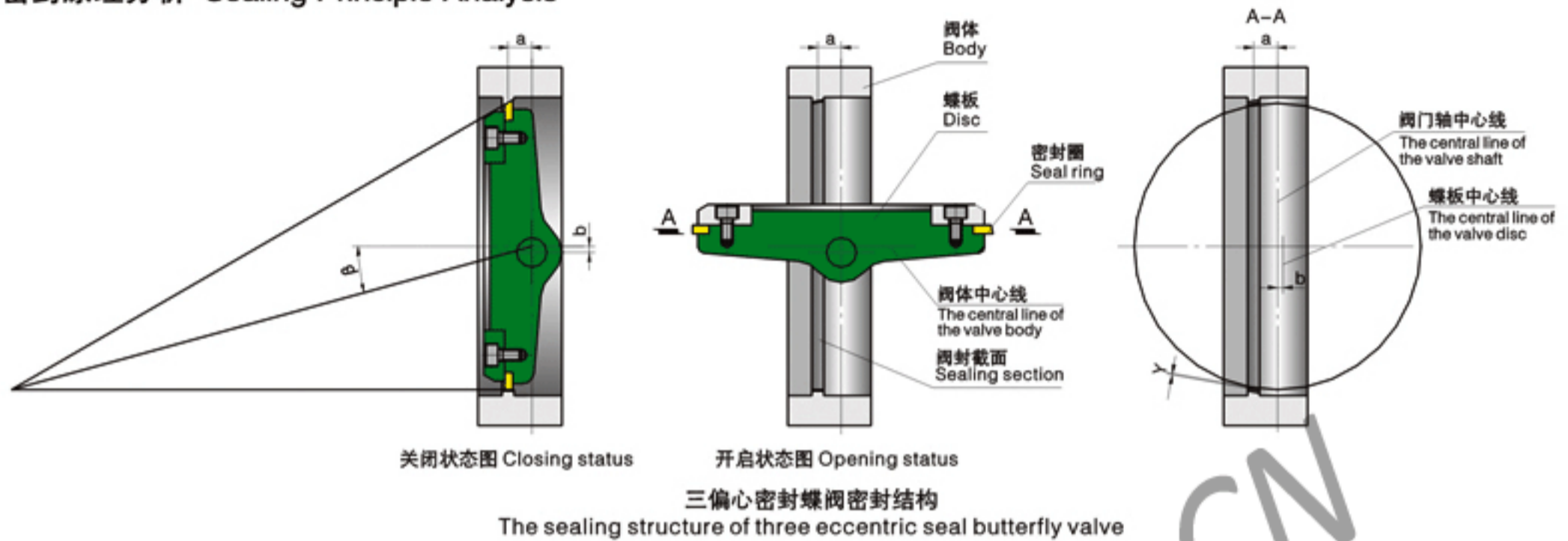
2、双偏心密封蝶阀的密封原理

由于在单偏心蝶阀的基础上将蝶板的回转中心(即阀门轴中心)与阀体中心线形成尺寸b偏置,使得蝶阀在开启过程中,蝶板的密封面会比单偏心密封蝶阀更快地脱离阀座密封面,蝶板转动至 $8^{\circ} \sim 12^{\circ}$ 时,蝶板密封面完全脱离阀座密封面,完全开启时,两密封面之间形成一个更大的间隙Y,该类蝶阀的设计,大大降低了两密封面之间的机械磨损及挤压变形,使蝶阀的密封性能更为提高。

2. The sealing principle of double eccentric seal butterfly valve

As making the centre of gyration of the disc (the centre of the valve spindle) form a polarization in size(b) with the central line of the valve bush, based on the single eccentric butterfly valve, which makes the sealing section of the disc brake away from the sealing section of the valve seat quicker than the single eccentric seal butterfly valve does, in the course of opening the butterfly valve, when the disc revolves to  $8^{\circ} \sim 12^{\circ}$ , the sealing section of the disc will completely brake away from the sealing section of the valve seat, and when completely opened, a bigger gap Y will be formed in two sealing sections. The design of this kind of butterfly valve can greatly decrease the mechanical wear and extrusion and deformation, and improve the sealing performance much higher.

## 密封原理分析 Sealing Principle Analysis

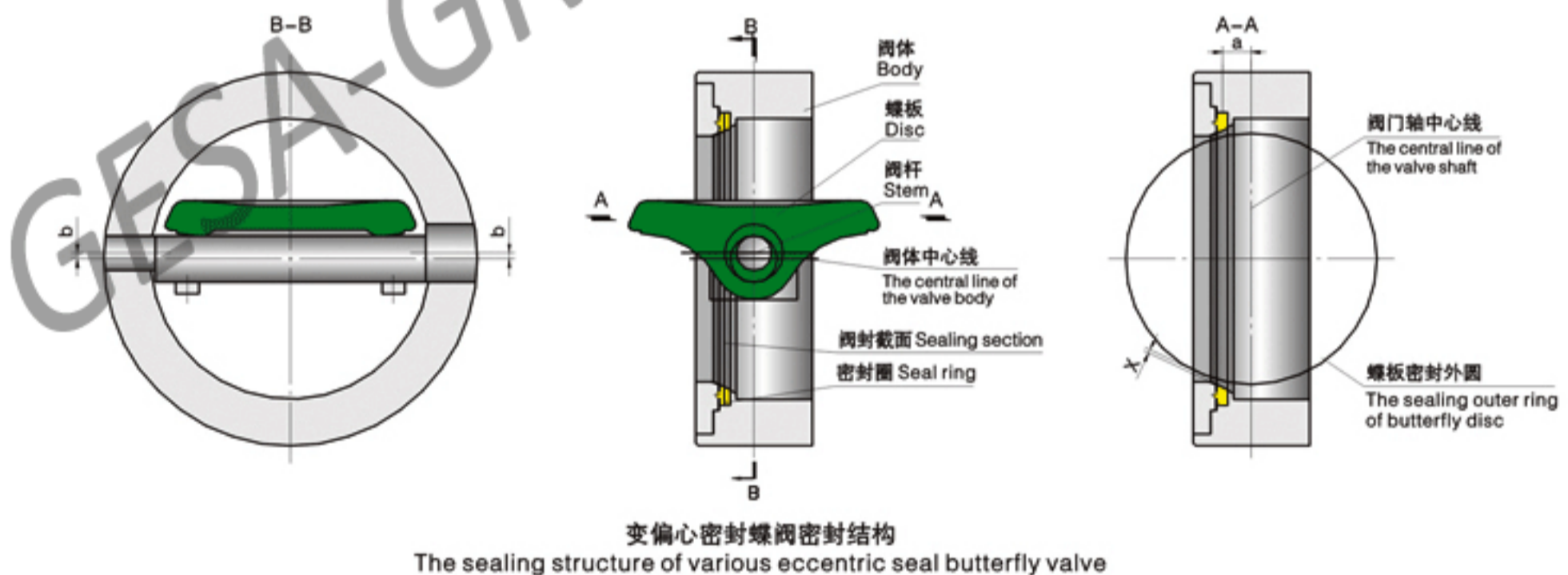


### 3、三偏心密封蝶阀的密封原理

由于在双偏心蝶阀的基础上将阀座中心线再与阀体中心线形成一个 $\beta$ 角偏置，使得蝶阀在开启过程中，蝶板的密封面在开启瞬间立即脱离阀座密封面，而在关闭瞬间才会接触并压紧阀座密封面。当完全开启时，两密封面之间形成一个与双偏心密封蝶阀相同间隙 $Y$ ，该类蝶阀的设计，彻底消除了两密封面之间的机械磨损和擦伤，使蝶阀的密封性能和使用寿命都得到大大提高。

### 3. The sealing principle of three eccentric butterfly valve

As making the central line of the valve seat form a polarization in angle  $\beta$  with the central line of the valve bush, based on the double eccentric butterfly valve, which makes the sealing section of the disc immediately brake away from the sealing section of the valve seat at the moment of opening, and contact the sealing section of the valve seat at the moment of closing, during the course of opening and closing, When completely opened, a gap  $Y$  same to the double eccentric seal butterfly valve will be formed in the two sealing sections. The design of this kind of butterfly valve can completely remove the mechanical wear and scratch between the two sealing section, and greatly improve the sealing performance and service life.

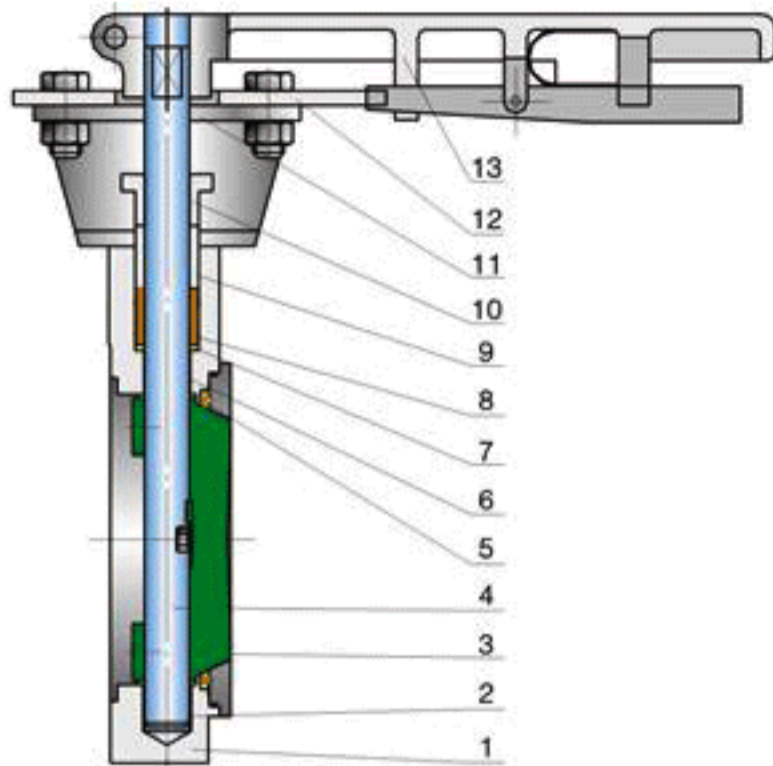


### 4、变偏心密封蝶阀的密封原理

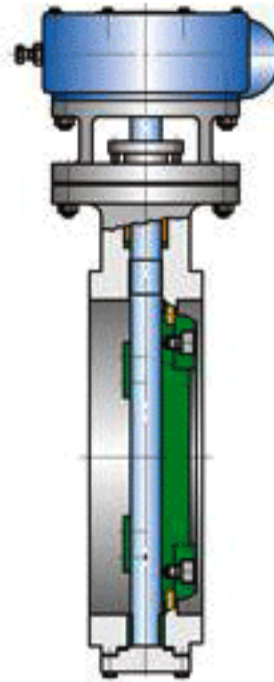
变偏心蝶阀的独特之处在于安装蝶板的阀杆轴是一个三段轴式结构，此三段轴式阀杆两段轴段同心，而中间段轴中心线与两端轴线偏离一个中心距，蝶板就安装在中间轴段上。这样的偏心结构使得蝶板在全开位置时成为双偏心状，而在蝶板转动到关闭位置时则成为单偏心状。由于偏心轴的作用，在接近关闭时，蝶板向阀座的密封锥面内移进一个距离，蝶板与蝶座的密封面相吻合达到可靠的密封性能。

### 4. The sealing principle of the various eccentric seal butterfly valve

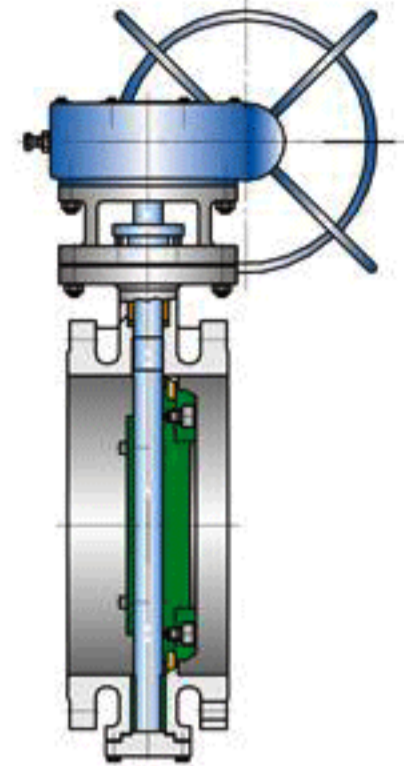
The unique feature of various eccentric butterfly valve is the valve handle shaft for installation of the disc, with a structure of three-parts style, There are two parts with a concentric shaft, of the valve handle in three-parts style, but the central line of the middle shaft is a centerline spacing away from the shaft line of the both sides, and the disc is installed in the part of the middle shaft. This eccentric structure can make the disc be in the type of the double eccentric at the situation of fully opened, but in the single eccentric type when the disc is revolved. When approaching closing, the disc will move a distance towards the sealing conic section, and the sealing section of the disc and valve seat is in the reliability of sealing performance, because of the function of the eccentric shaft.



手动蝶阀  
Manual Operated Butterfly Valve



蜗轮传动对夹式蝶阀  
Worm Driven Wafer type  
Butterfly Valve



蜗轮传动对夹式蝶阀  
Worm Driven Flanged  
Butterfly Valve

## 产品采用标准 Technical Specification

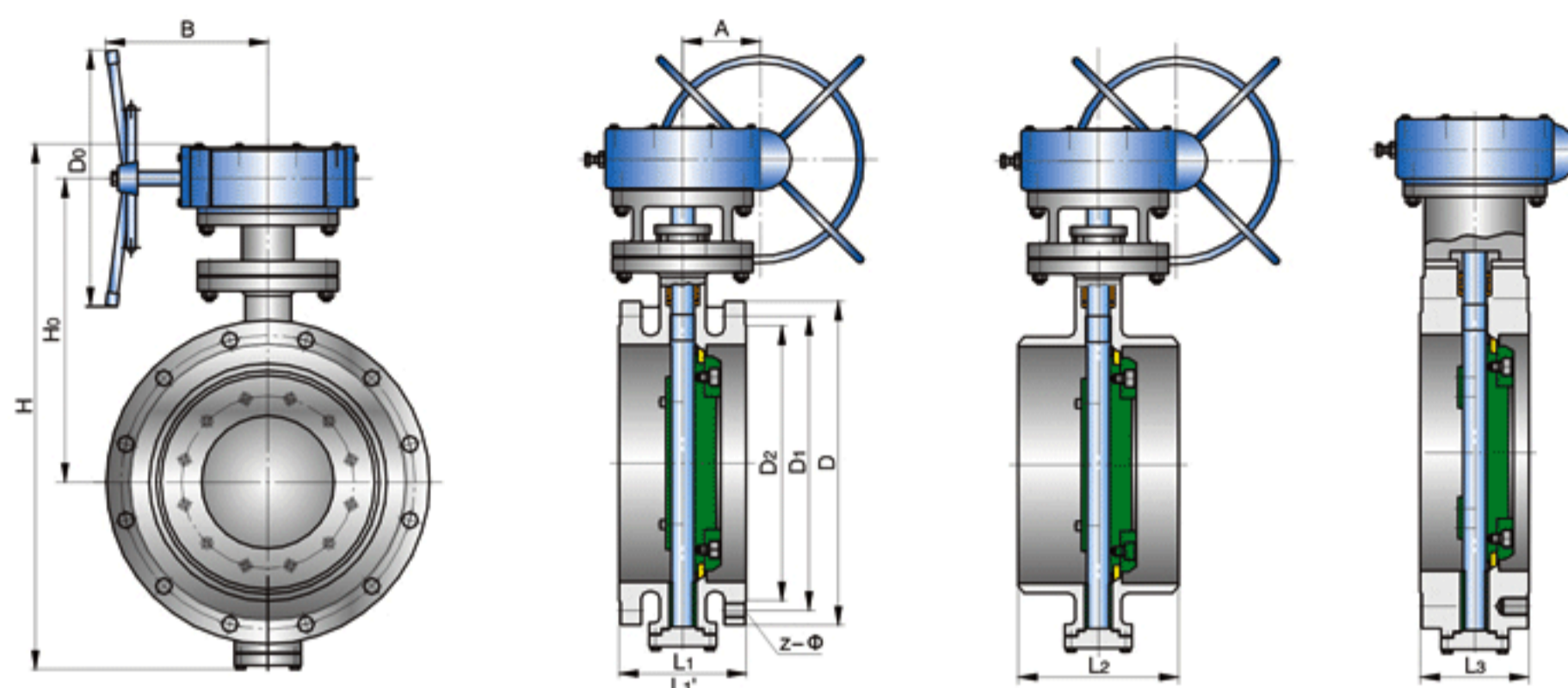
结构形式 Structural feature	单偏心、双偏心、三偏心、变偏心 Single eccentric structure、 Double eccentric structure、Three eccentric structure、Variable eccentric structure
设计依据 Design reference	API
驱动方式 Driving manner	手动、蜗轮蜗杆传动、气动、电动 Lever operated, wormgear operated, pneumatic operated, electric operated
设计标准 Design standard	API 609、MSS SP-68
结构长度 Face to face	ASME B16.10、API 609、MSS SP-68
连接法兰 Flanged ends	ASME B16.5、ASME B16.47
试验和检验 Test & inspection	API 598

注：阀门连接法兰及对焊端尺寸可根据用户要求设计制造。  
Note: The dimensions of connecting flanged and butt-welding ends can be designed according to customer's requirement.

## 主要零件材料 Major Parts Material Form

序号 No.	零件名称 Parts name	材质 Material	序号 No.	零件名称 Parts name	材质 Material
1	阀体 Body	WCB、CF8、CF8M、CF3、CF3M	8	填料 Packing	柔性石墨 Graphite
2	轴套 Bush	Cu、PTFE+SS不锈钢	9	填料压盖 Packing cover	2Cr13、ASTM A276-420
3	蝶板 Disc	WCB、CF8、CF8M、CF3、CF3M	10	填料压套 Gland	WCB、CF8、CF8M
4	阀杆 Stem	1Cr13、2Cr13、1Cr18Ni9Ti、0Cr18Ni12Mo2Ti	11	支架 Yoke	WCB、CF8、CF8M、CF3、CF3M
5	密封组合件 Sealing assembly	A105+rubber橡胶、A105+F6、SS不锈钢	12	指示板 Indicating plate	Cu、SS不锈钢
6	轴套 Bush	Cu、PTFE+SS不锈钢	13	手柄 Wrench	KTH330、QT400-17
7	填料垫 Packing seat	2Cr13			

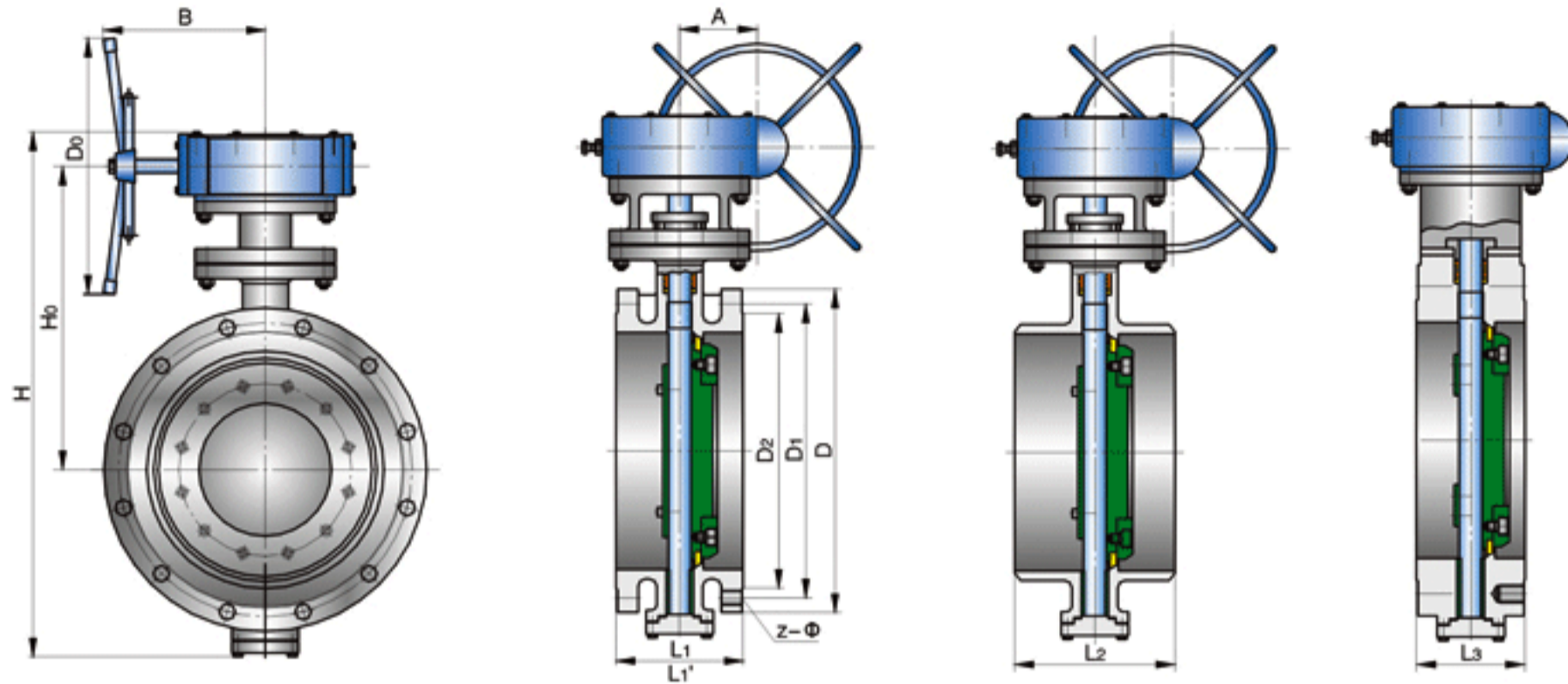
注：美标相应材质不一列举  
Notes: The relevant material of american standard is not to be particularized respectively.



### 主要外形尺寸 Main Outline Dimensions

型号 Model: D34(6、7)2(3、4、5)F(X、H、W、Y)

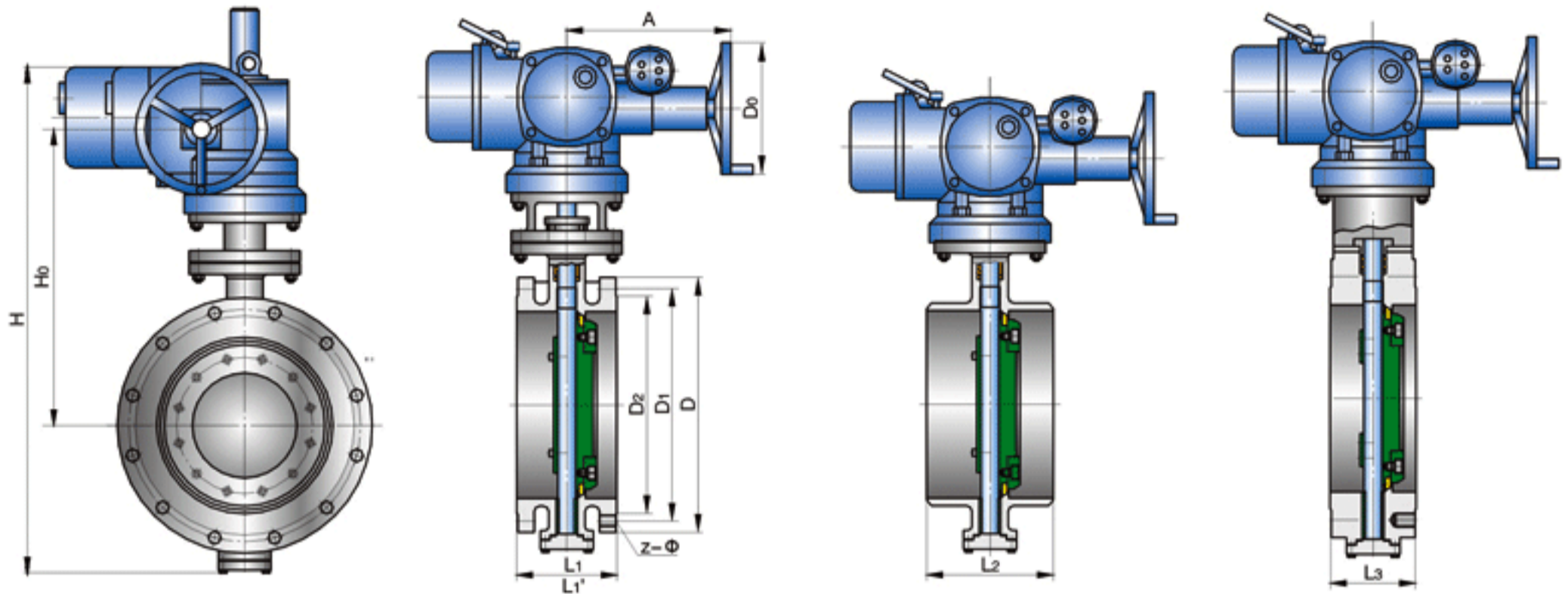
Class	NPS (in)	尺寸 Dimensions (mm)								蜗轮蜗杆装置 Worm device
		L <sub>1</sub>	L <sub>2</sub>	L <sub>3</sub>	H <sub>0</sub>	H	A	B	D <sub>0</sub>	
150	3	114	114	48	185	320	140	63	160	O型
	4	127	127	54	195	342	140	63	160	O型
	5	140	140	55	209	365	140	63	300	A型
	6	140	140	57	243	415	140	63	300	A型
	8	152	152	64	263	510	150	84	400	B型
	10	165	165	71	295	567	150	84	400	B型
	12	178	178	81	342	665	200	108	600	C型
	14	190	190	92	385	739	200	108	600	C型
	16	216	216	102	430	825	240	152	600	C型
	18	222	222	114	469	910	240	152	800	D型
	20	229	229	127	500	990	300	168	800	D型
	24	267	267	154	618	1210	320	192	800	D型
	28	292	292	229	746	1475	237	168	400	DA型
	32	318	318	241	810	1600	237	168	400	DA型
	34	330	330	241	875	1728	237	168	400	DA型
40	410	410	300	965	1900	237	168	600	DB型	



### 主要外形尺寸 Main Outline Dimensions

型号Model: D34(6、7)2(3、4、5)F(X、H、W、Y)

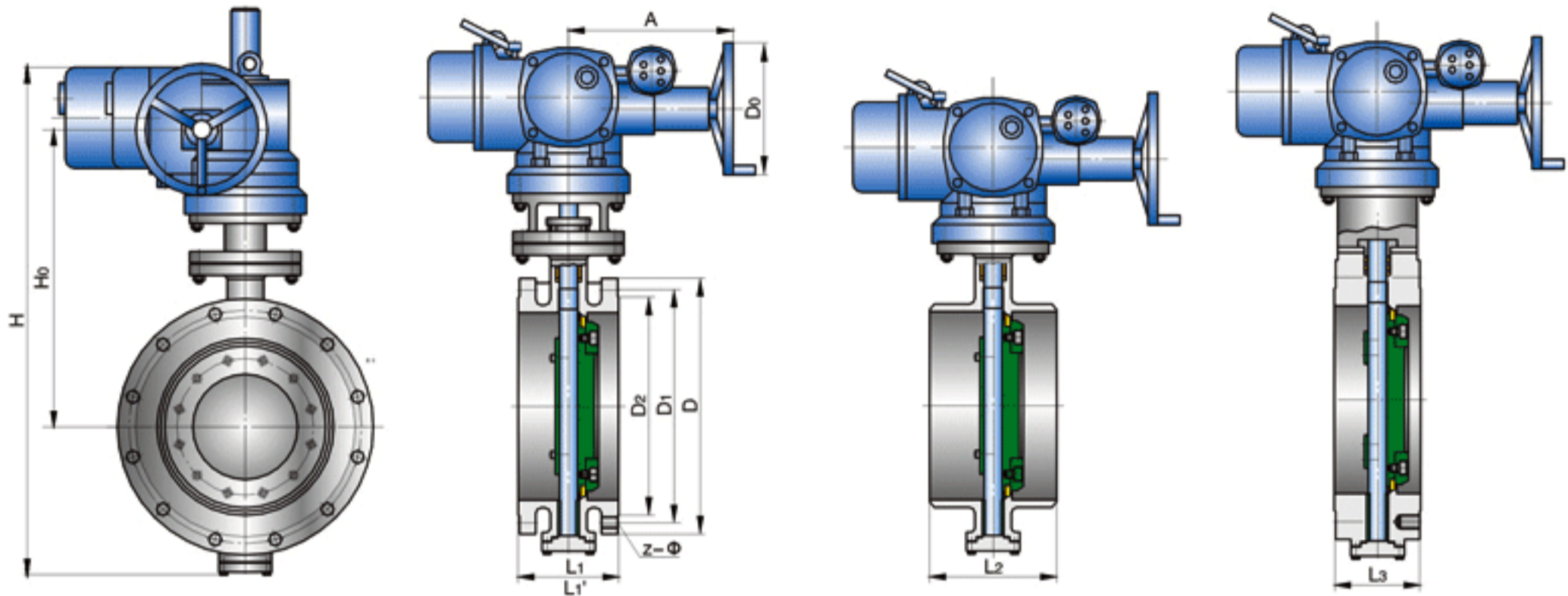
Class	NPS (in)	尺寸 Dimensions (mm)								蜗轮蜗杆装置 Worm device
		L <sub>1</sub>	L <sub>2</sub>	L <sub>3</sub>	H <sub>0</sub>	H	A	B	D <sub>0</sub>	
300	3	180	180	48	241	395	140	63	300	A型
	4	190	190	54	205	355	140	63	400	B型
	5	200	200	55	215	378	140	63	400	B型
	6	210	210	59	260	430	150	84	600	C型
	8	230	230	73	273	523	150	84	600	C型
	10	250	250	83	315	600	200	108	600	D型
	12	270	270	92	362	693	200	108	800	D型
	14	290	290	117	405	772	240	152	800	D型
	16	310	310	133	440	862	300	168	800	DA型
	18	330	330	149	525	960	320	192	400	DA型
	20	350	350	159	603	1158	168	237	400	DA型
24	390	390	181	693	1320	168	237	300	A型	
600	3	180	180	54	250	500	140	63	400	B型
	4	190	190	64	340	595	140	63	600	C型
	5	200	200	70	395	680	200	108	600	C型
	6	210	210	78	423	730	240	152	600	C型
	8	230	230	102	445	855	300	168	800	D型
	10	250	250	117	536	1002	320	192	800	D型
	12	270	270	140	614	1150	168	237	800	D型
	14	290	290	155	674	1200	168	237	400	DA型
16	310	310	178	823	1345	168	237	400	DA型	



### 主要外形尺寸 Main Outline Dimensions

型号Model: D94(6、7)2(3、4、5)F(X、H、W、Y)

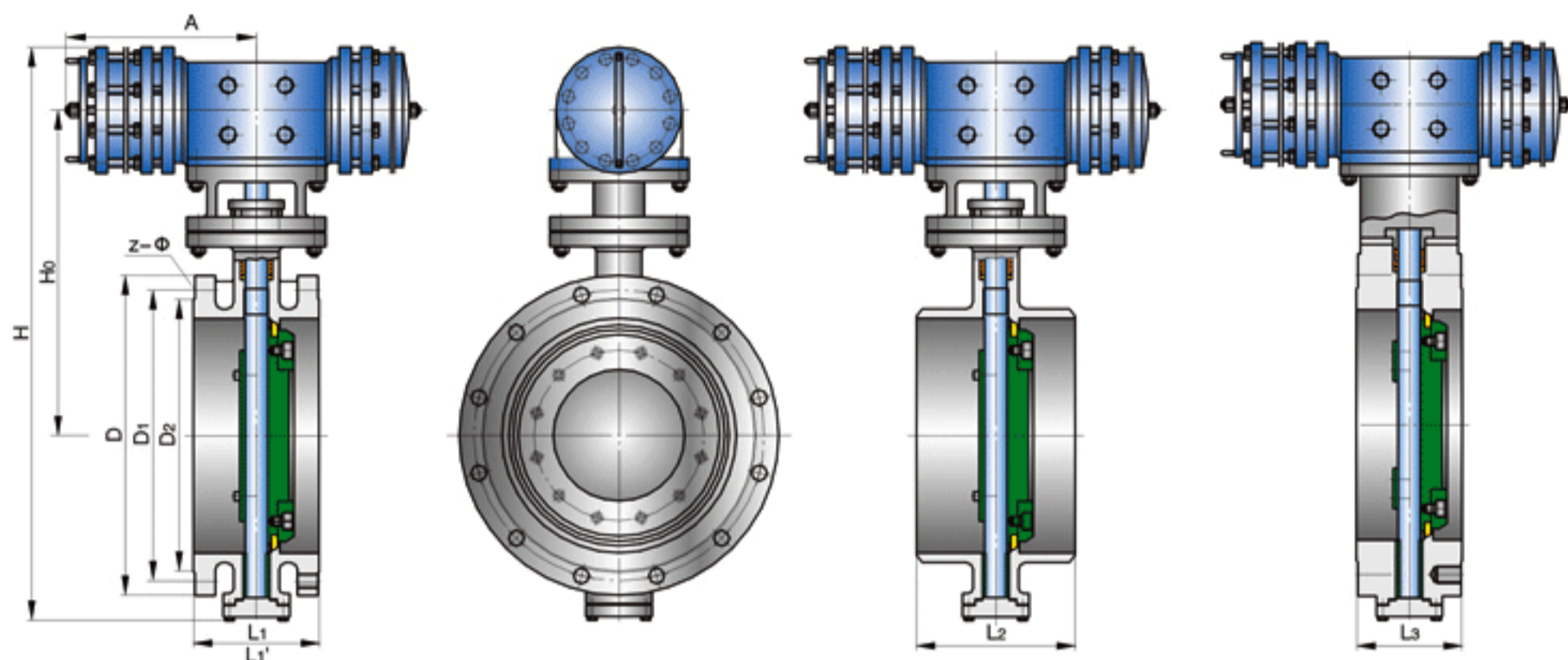
Class	NPS (in)	尺寸 Dimensions (mm)								电动装置 Electric device
		L <sub>1</sub>	L <sub>2</sub>	L <sub>3</sub>	H <sub>0</sub>	H	A	B	D <sub>0</sub>	
150	3	114	114	48	263	513	180	178	-	DQW10-1
	4	127	127	54	282	535	180	178	-	DQW20-1
	5	140	140	55	293	563	180	178	-	DQW20-1
	6	140	140	57	322	602	180	178	-	DQW20-1
	8	152	152	64	296	745	370	235	365	DZW10
	10	165	165	70	325	805	370	235	365	DZW10
	12	178	178	81	365	883	370	235	365	DZW20(I)
	14	190	190	92	408	965	370	235	365	DZW20(I)
	16	216	216	102	443	1033	370	235	365	DZW20(I)
	18	222	222	114	485	1120	370	235	365	DZW30(I)
	20	229	229	127	518	1186	370	235	365	DZW30(I)
	24	267	267	154	625	1380	370	235	365	DZW30(I)
	28	292	292	229	745	1587	515	245	470	DZW60
	32	318	318	241	810	1717	515	245	470	DZW60
	34	330	330	241	872	1874	540	360	550	DZW90(I)
	40	410	410	300	965	2030	540	360	550	DZW90(I)



### 主要外形尺寸 Main Outline Dimensions

型号Model: D94(6、7)2(3、4、5)F(X、H、W、Y)

Class	NPS (in)	尺寸 Dimensions (mm)								电动装置 Electric device
		L <sub>1</sub>	L <sub>2</sub>	L <sub>3</sub>	H <sub>0</sub>	H	A	B	D <sub>0</sub>	
300	3	180	180	48	242	530	180	178	-	DQW20-1
	4	190	190	54	204	552	180	178	-	DQW20-1
	5	200	200	55	214	580	180	178	-	DQW30-1
	6	210	210	59	259	610	180	178	-	DZW30-1
	8	230	230	73	310	755	370	235	365	DZW20(I)
	10	250	250	83	340	816	370	235	365	DZW20(I)
	12	270	270	92	390	912	370	235	365	DZW30(I)
	14	290	290	117	425	980	370	235	365	DZW30(I)
	16	310	310	133	460	1057	370	235	365	DZW30(I)
	18	330	330	149	525	1140	370	235	365	DZW30(I)
	20	350	350	159	556	1243	515	245	470	DZW60
24	390	390	181	653	1420	540	360	550	DZW90(I)	
600	3	180	180	64	108	606	180	178	-	DQW20-1
	4	190	190	64	108	650	180	178	-	DQW20-1
	5	200	200	70	120	695	180	178	-	DQW30-1
	6	210	210	76	136	743	180	178	-	DQW30-1
	8	230	230	89	442	1055	370	235	365	DZW30(I)
	10	250	250	114	532	1172	370	235	365	DZW30(I)
	12	270	270	127	618	1392	515	245	470	DZW45(I)
	14	290	290	140	674	1475	515	245	470	DZW60
	16	310	310	152	823	1708	540	360	550	DZW90



### 主要外形尺寸 Main Outline Dimensions

型号 Model: D64(6、7)2(3、4、5)F(X、H、W、Y)

Class	NPS (in)	尺寸 Dimensions (mm)						电动装置 Electric device
		L <sub>1</sub>	L <sub>2</sub>	L <sub>3</sub>	H <sub>0</sub>	H	A	
150	8	152	152	64	323	690	275	TAW13
	10	165	165	70	355	750	275	TAW13
	12	178	178	81	475	955	378	TAW17
	14	190	190	92	513	1032	378	TAW17
	16	216	216	102	598	1182	530	TAW20
	18	222	222	114	635	1265	530	TAW20
	20	229	229	127	667	1335	530	TAW20
	24	267	267	154	830	1642	680	TAW28
	28	292	292	229	910	1782	680	TAW28
300	32	318	318	241	975	1920	680	TAW28
	8	230	230	73	368	750	275	TAW13
	10	250	250	83	442	909	378	TAW17
	12	270	270	92	535	1075	530	TAW20
	14	290	290	117	572	1158	530	TAW20
	16	310	310	133	610	1230	530	TAW20
	18	330	330	149	736	1462	680	TAW28
20	350	350	159	765	1328	680	TAW28	

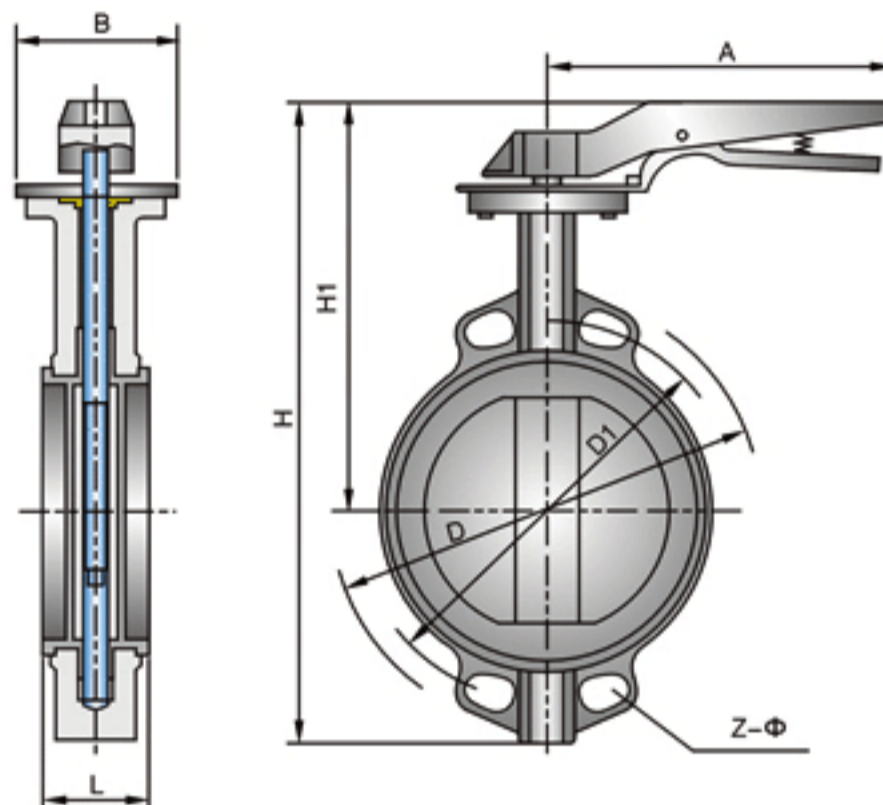


### 产品性能规范 Products Performance Specification

适用温度 Applicable temperature	适用介质 Applicable medium
天然胶 Natural rubber ≤85℃	石膏浆液、石灰石浆液、回收水、工艺水、废水 Gypsum pulp, Limestone pulp, Recovery water, Process water, Waste water
三元乙丙胶 EPDM ≤100℃	

### 主要零件材料 Major Parts Material Form

名称 Name	材料 Material
阀体 Body	灰铸铁、球墨铸铁、碳钢 Grey iron, Ductile iron, Carbon steel
蝶板 Disc	碳钢包覆橡胶、碳钢包覆氟塑料、不锈钢、双相不锈钢板1.4529、C276 Carbon steel wrapped rubber, Carbon steel wrapped fluorine plastic, Stainless steel, Duplex stainless steel plate
阀座 Seat	天然橡胶、三元乙丙、氟橡胶 NBR, EPDM, PTFE
阀杆 Stem	不锈钢 Stainless steel, 2Cr13, 304



### 主要外形尺寸 Main Outline Dimensions

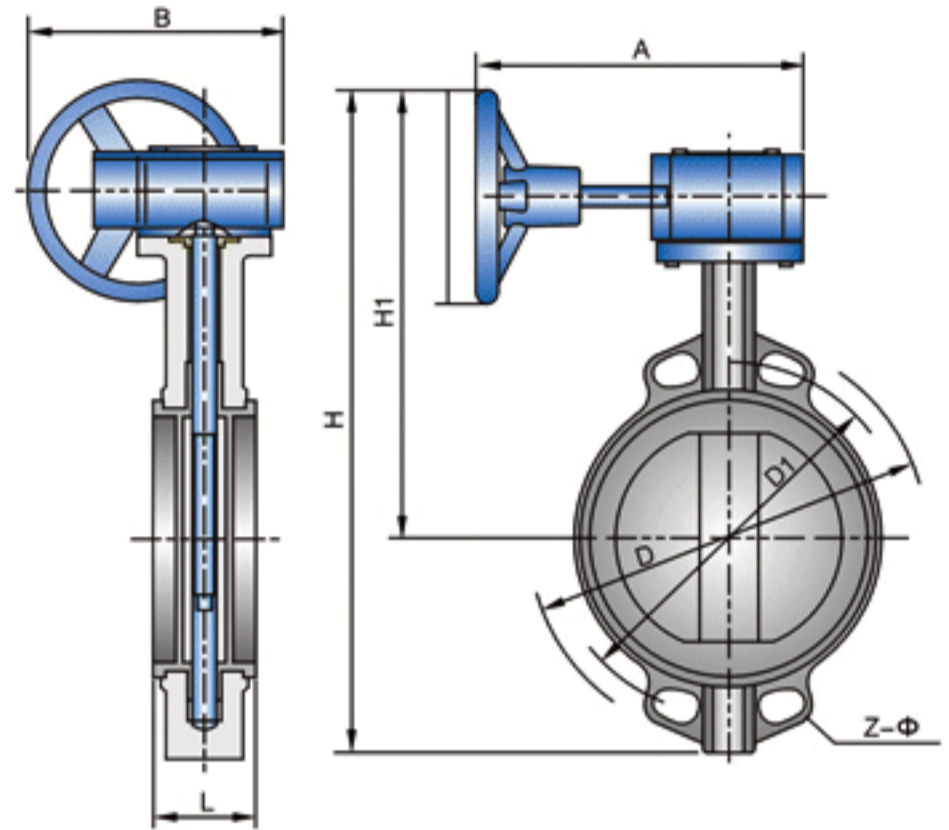
DN (mm)	L	D	D1	Z-Φ	H	H1	A	B	重量(kg) Weight
40	33	150	110	4-18	220	150	270	118	3.1
50	43	165	125	4-18	270	190	270	118	3.5
65	46	185	145	4-18	295	205	270	118	4.4
80	46	200	160	8-18	305	210	270	118	5.5
100	52	220	180	8-18	340	215	270	118	6.5
125	56	250	210	8-18	370	245	310	118	9
150	56	285	240	8-22	395	255	310	118	12
200	60	340	295	8-22	475	300	370	165	22
采用标准 Technical Specification	设计标准 Design standard: GB12238; 结构长度 Face to face: GB12221; 法兰 Flanged: GB/T17241.6; PN1.0MPa								

### 产品性能规范 Products Performance Specification

适用温度 Applicable temperature	适用介质 Applicable medium
天然胶 Natural rubber ≤85°C	石膏浆液、石灰石浆液、回收水、工艺水、废水 Gypsum pulp, Limestone pulp, Recovery water, Process water, Waste water
三元乙丙胶 EPDM ≤100°C	

### 主要零件材料 Major Parts Material Form

名称 Name	材料 Material
阀体 Body	灰铸铁、球墨铸铁、碳钢 Grey iron, Ductile iron, Carbon steel
蝶板 Disc	碳钢包覆橡胶、碳钢包覆氟塑料、不锈钢、双相不锈钢板1.4529、C276 Carbon steel wrapped rubber, Carbon steel wrapped fluorine plastic, Stainless steel, Duplex stainless steel plate
阀座 Seat	天然橡胶、三元乙丙、氟橡胶 NBR, EPDM, PTFE
阀杆 Stem	不锈钢 Stainless steel、2Cr13、304



### 主要外形尺寸 Main Outline Dimensions

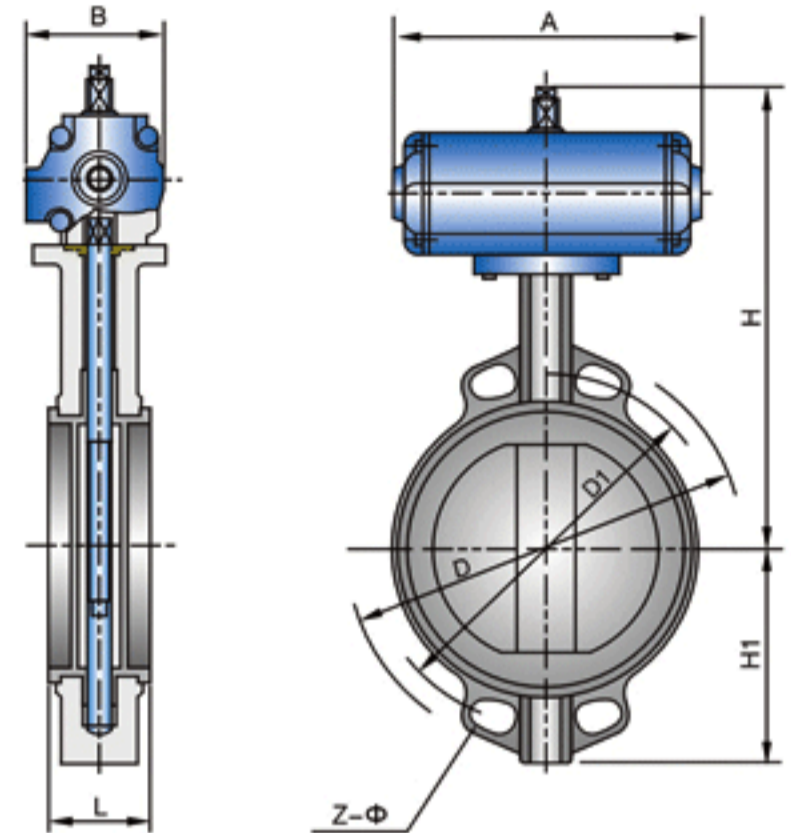
DN (mm)	L	D	D1	Z-Φ	H	H1	A	B	D0	重量(kg) Weight
40	33	150	110	4-18	350	270	193	125	150	7
50	43	165	125	4-18	360	280	193	125	150	8
65	46	185	145	4-18	385	295	193	125	150	9
80	46	200	160	8-18	396	300	193	125	150	10
100	52	220	180	8-18	430	315	193	125	150	11
125	56	250	210	8-18	460	335	193	125	150	13
150	56	285	240	8-22	485	345	193	125	150	14
200	60	340	295	8-22	630	455	283	165	220	30
250	68	395	350	12-22	690	484	283	165	220	40
300	78	445	400	12-22	770	530	334	175	280	78
350	78	505	460	16-22	830	560	334	175	280	81
400	102	565	515	16-26	910	595	425	210	320	140
450	114	615	565	20-26	938	618	425	210	320	160
500	127	670	620	20-26	993	650	425	210	320	190
600	154	780	725	20-30	1131	718	425	210	320	315
700	165	895	840	24-30	1476	998	620	320	400	480
800	190	1015	950	24-33	1533	1008	620	320	400	516
900	203	1115	1050	28-33	1655	1070	620	320	400	780
1000	216	1230	1160	28-36	1765	1125	620	400	400	950
1100	230	1340	1270	32-36	1880	1184	620	400	400	1050
1200	254	1455	1380	32-39	1995	1240	620	400	400	1150
采用标准 Technical Specification	设计标准 Design standard: GB12238; 结构长度 Face to face: GB12221; 法兰 Flanged: GB/T17241.6; PN1.0MPa									

### 产品性能规范 Products Performance Specification

适用温度 Applicable temperature	适用介质 Applicable medium
天然胶 Natural rubber ≤85℃	石膏浆液、石灰石浆液、回收水、工艺水、废水 Gypsum pulp, Limestone pulp, Recovery water, Process water, Waste water
三元乙丙胶 EPDM ≤100℃	

### 主要零件材料 Major Parts Material Form

名称 Name	材料 Material
阀体 Body	灰铸铁、球墨铸铁、碳钢 Grey Iron, Ductile iron, Carbon steel
蝶板 Disc	碳钢包覆橡胶、碳钢包覆氟塑料、不锈钢、双相不锈钢板 1.4529、C276 Carbon steel wrapped rubber, Carbon steel wrapped fluorine plastic, Stainless steel, Duplex stainless steel plate
阀座 Seat	天然橡胶、三元乙丙、氟橡胶 NBR, EPDM, PTFE
阀杆 Stem	不锈钢 Stainless steel、2Cr13、304
气动装置 Pneumatic Driven	天津二通 Tianjin Ertong



### 主要外形尺寸 Main Outline Dimensions

DN (mm)	L	D	D1	Z-Φ	A	B	H	H1	重量(kg) Weight
40	33	150	110	4-18	127	60	214	60	6
50	43	165	125	4-18	127	60	234	64	7
65	46	185	145	4-18	133	70	273	80	10
80	46	200	160	8-18	133	83	293	90	11
100	52	220	180	8-18	203	100	327	102	16
125	56	250	210	8-18	222	120	376	112	22
150	56	285	240	8-22	294	120	386	132	24
200	60	340	295	8-22	337	172	483	160	45
250	68	395	350	12-22	380	172	510	206	57
300	78	445	400	12-22	420	224	612	232	90
350	78	505	460	16-22	450	224	643	263	103
400	102	565	515	16-26	603	272	732	295	177
450	114	615	565	20-26	603	272	754	327	193
500	127	670	620	20-26	683	272	812	358	343
600	154	780	725	20-30	683	360	952	474	380

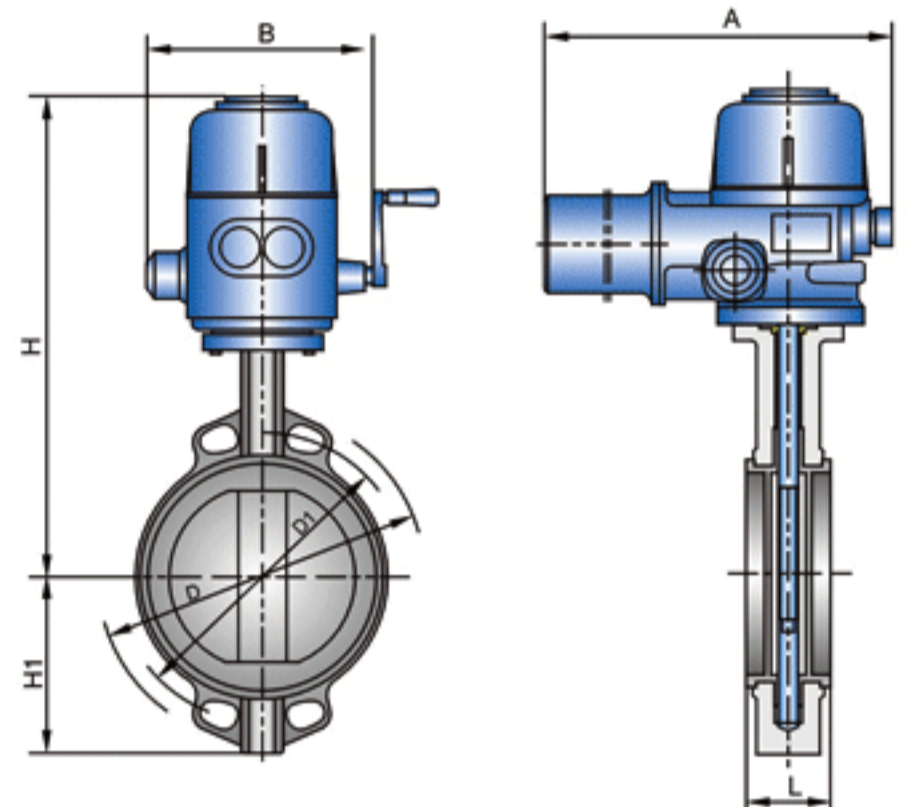
采用标准 Technical Specification: 设计标准 Design standard: GB12238; 结构长度 Face to face: GB12221(20系列 Series); 法兰 Flanged: GB/T17241.6; PN1.0MPa

### 产品性能规范 Products Performance Specification

适用温度 Applicable temperature	适用介质 Applicable medium
天然胶 Natural rubber ≤85°C	石膏浆液、石灰石浆液、回收水、工艺水、废水 Gypsum pulp, Limestone pulp, Recovery water, Process water, Waste water
三元乙丙胶 EPDM ≤100°C	

### 主要零件材料 Major Parts Material Form

名称 Name	材料 Material
阀体 Body	灰铸铁、球墨铸铁、碳钢 Grey iron, Ductile iron, Carbon steel
蝶板 Disc	碳钢包覆橡胶、碳钢包覆氟塑料、不锈钢、双相不锈钢板 1.4529、C276 Carbon steel wrapped rubber, Carbon steel wrapped fluorine plastic, Stainless steel, Duplex stainless steel plate
阀座 Seat	天然橡胶、三元乙丙、氟橡胶 NBR, EPDM, PTFE
阀杆 Stem	不锈钢 Stainless steel、2Cr13、304
电动装置 Electric device	天津二通 Tianjin Ertong



### 主要外形尺寸 Main Outline Dimensions

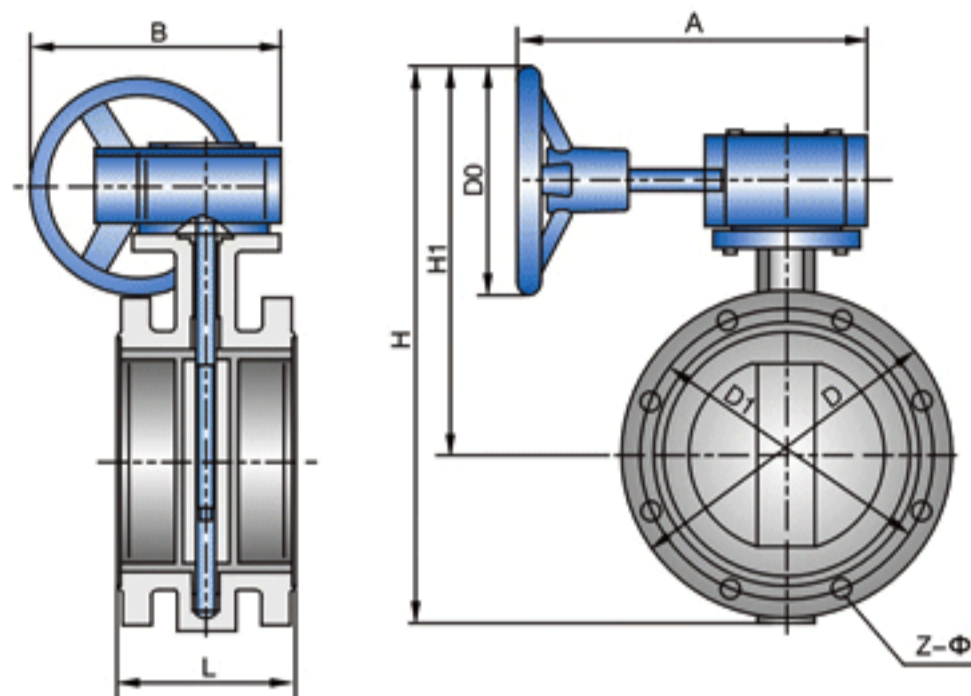
DN (mm)	L	D	D1	Z-Φ	A	B	H	H1	重量(kg) Weight
40	33	150	110	4-18	418	308	369	60	26
50	43	165	125	4-18	418	308	389	64	29
65	46	185	145	4-18	418	308	414	80	31
80	46	200	160	8-18	418	308	422	90	33
100	52	220	180	8-18	418	308	439	102	34
125	56	250	210	8-18	418	308	455	112	39
150	56	285	240	8-22	418	308	465	132	41
200	60	340	295	8-22	418	308	594	160	68
250	68	395	350	12-22	418	308	621	206	86
300	78	445	400	12-22	585	275	667	232	137
350	78	505	465	16-22	585	275	698	263	150
400	102	565	515	16-26	585	275	740	295	205
450	114	615	565	20-26	585	275	762	327	240
500	127	670	620	20-26	729	355	852	358	285
600	154	780	725	20-30	729	355	934	474	407
700	165	895	840	24-30	910	395	1039	486	515
800	190	1015	950	24-33	910	395	1101	591	655
900	203	1115	1050	28-33	783	448	1320	640	920
1000	216	1230	1160	28-36	783	448	1450	721	1100
1100	230	1340	1270	32-36	783	448	1740	760	1150
1200	254	1455	1380	32-39	783	448	2035	795	1200
采用标准 Technical Specification	设计标准 Design standard: GB12238; 结构长度 Face to face: GB12221; 法兰 Flanged: GB/T17241.6; PN1.0MPa								

### 产品性能规范 Products Performance Specification

适用温度 Applicable temperature	适用介质 Applicable medium
天然胶 Natural rubber ≤85℃	石膏浆液、石灰石浆液、回收水、工艺水、废水 Gypsum pulp, Limestone pulp, Recovery water, Process water, Waste water
三元乙丙胶 EPDM ≤100℃	

### 主要零件材料 Major Parts Material Form

名称 Name	材料 Material
阀体 Body	灰铸铁、球墨铸铁、碳钢 Grey iron, Ductile iron, Carbon steel
蝶板 Disc	碳钢包覆橡胶、碳钢包覆氟塑料、不锈钢、双相不锈钢板 1.4529、C276 Carbon steel wrapped rubber, Carbon steel wrapped fluorine plastic, Stainless steel, Duplex stainless steel plate
阀座 Seat	天然橡胶、三元乙丙、氟橡胶 NBR, EPDM, PTFE
阀杆 Stem	不锈钢 Stainless steel、2Cr13、304



### 主要外形尺寸 Main Outline Dimensions

DN (mm)	PN (MPa)	L	D	D1	Z-Φ	H	H1	A	B	D0	重量(kg) Weight
50	1.0	108	165	125	4-18	310	227	193	125	150	8
65		112	185	145	4-18	333	240	193	125	150	11.5
80		114	200	160	8-18	423	323	193	125	150	12.5
100		127	220	180	8-18	440	330	193	125	150	23
125		140	250	210	8-18	455	330	193	125	150	41
150		140	285	240	8-22	510	368	193	125	150	47
200		152	340	295	8-22	614	444	283	165	220	61
250		165	395	350	12-22	680	483	283	165	220	74
300		178	445	400	12-22	776	554	334	175	280	103
350		190	505	460	16-22	840	588	334	175	280	120
400		216	565	515	16-26	858	596	425	210	320	217
450		222	615	565	20-26	993	686	425	210	320	242
500		229	670	620	20-26	1056	721	425	210	320	279
600		267	780	725	20-30	1161	771	425	210	320	396
700	0.6	229	860	810	24-26	1350	818	503	393	450	265
700	1.0	292	895	840	24-30	1350	818	503	393	450	424
800	0.6	241	975	920	24-30	1440	858	503	393	450	345
800	1.0	318	1015	950	24-33	1440	858	503	393	450	552
900	0.6	241	1075	1020	24-30	1616	978	630	555	500	425
900	1.0	330	1115	1050	28-33	1616	978	630	555	500	680
1000	0.6	300	1175	1120	28-30	1780	1058	630	555	500	565
1000	1.0	410	1230	1160	28-36	1780	1058	630	555	500	906
1100	0.6	350	1305	1240	28-33	1995	1200	630	555	500	740
1100	1.0	440	1340	1270	32-36	1995	1200	630	555	500	1184
1200	0.6	350	1405	1340	32-33	2045	1250	630	555	500	910
1200	1.0	470	1455	1380	32-36	2045	1250	630	555	500	1456

采用标准  
Technical Specification

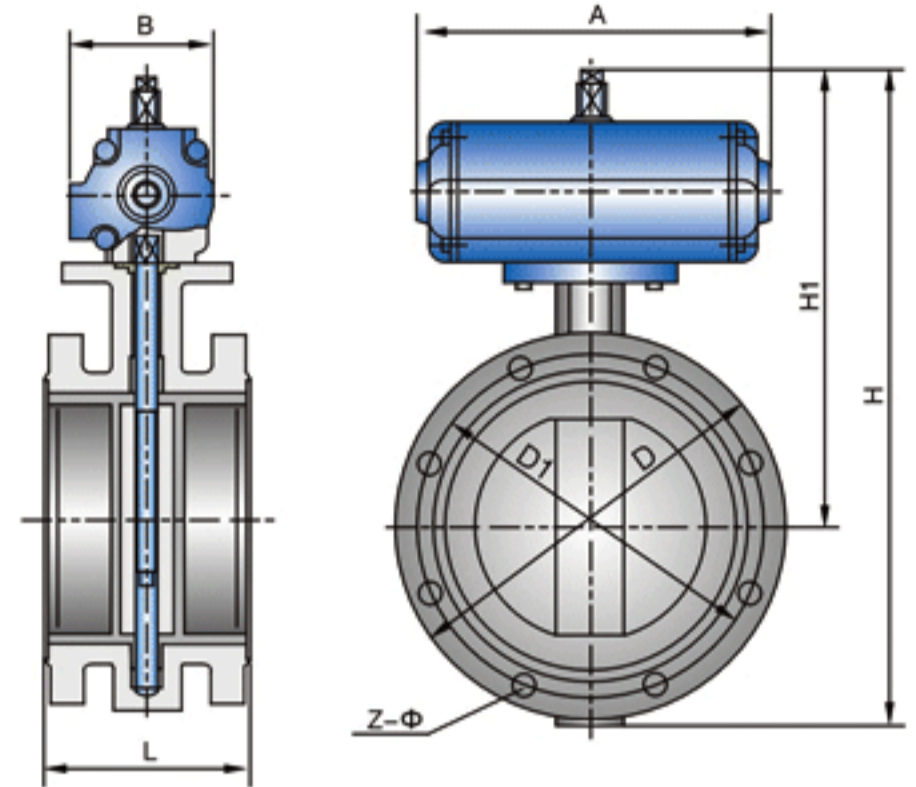
设计标准 Design standard: GB12238; 结构长度 Face to face: GB12221; 法兰 Flanged: GB/T17241.6; PN1.0MPa/PN0.6MPa

## 产品性能规范 Products Performance Specification

适用温度 Applicable temperature	适用介质 Applicable medium
天然胶 Natural rubber ≤85°C	石膏浆液、石灰石浆液、回收水、工艺水、废水 Gypsum pulp, Limestone pulp, Recovery water, Process water, Waste water
三元乙丙胶 EPDM ≤100°C	

## 主要零件材料 Major Parts Material Form

名称 Name	材料 Material
阀体 Body	灰铸铁、球墨铸铁、碳钢 Grey iron, Ductile iron, Carbon steel
蝶板 Disc	碳钢包覆橡胶、碳钢包覆氟塑料、不锈钢、双相不锈钢板 1.4529、C276 Carbon steel wrapped rubber, Carbon steel wrapped fluorine plastic, Stainless steel, duplex stainless steel plate
阀座 Seat	天然橡胶、三元乙丙、氟橡胶 NBR, EPDM, PTFE
阀杆 Stem	不锈钢 Stainless steel, 2Cr13, 304
气动装置 Pneumatic Driven	天津二通 Tianjin Ertong



## 主要外形尺寸 Main Outline Dimensions

DN (mm)	PN (MPa)	L	D	D1	Z-Φ	H	H1	A	B	重量(kg) Weight
50	1.0	108	165	125	4-18	305	214	127	60	8.5
65		112	185	145	4-18	352	248	133	70	11.5
80		114	200	160	8-18	377	270	133	83	12.5
100		127	220	180	8-18	422	302	203	100	27
125		140	250	210	8-18	479	350	222	120	40
150		140	285	240	8-22	496	365	294	120	43
200		152	340	295	8-22	655	478	337	172	71.5
250		165	395	350	12-22	704	498	380	172	86.5
300		178	445	400	12-22	825	605	420	224	128.5
350		190	505	460	16-22	907	643	450	224	147
400		216	565	515	16-26	1030	732	603	272	208
450		222	615	565	20-26	1079	752	603	272	260
500		229	670	620	20-26	1164	812	683	272	350
600		267	780	725	20-30	1396	950	683	360	452
700	0.6	229	860	810	24-26	1622	1090	742	440	360
700	1.0	292	895	840	24-30	1622	1090	742	440	576
800	0.6	241	975	920	24-30	1722	1190	866	496	448
800	1.0	318	1015	950	24-33	1722	1190	866	496	716
900	0.6	241	1075	1020	24-30	1886	1248	866	496	562
900	1.0	330	1115	1050	28-33	1886	1248	866	496	899
1000	0.6	300	1175	1120	28-30	2140	1418	990	580	740
1000	1.0	410	1230	1160	28-36	2140	1418	990	580	1184
1100	0.6	350	1305	1240	28-33	2270	1510	990	580	928
1100	1.0	440	1340	1270	32-36	2270	1510	990	580	1485
1200	0.6	350	1405	1340	32-33	2405	1610	990	580	1117
1200	1.0	470	1455	1380	32-36	2405	1610	990	580	1787

采用标准  
Technical Specification

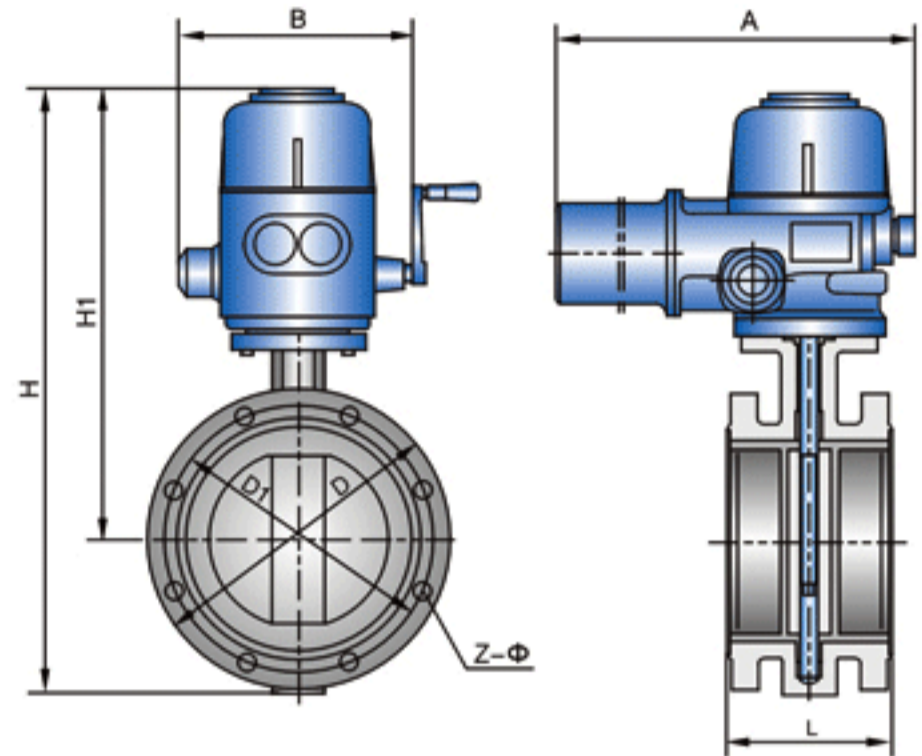
设计标准 Design standard: GB12238; 结构长度 Face to face: GB12221; 法兰 Flanged: GB/T17241.6; PN1.0MPa/PN0.6MPa

### 产品性能规范 Products Performance Specification

适用温度 Applicable temperature	适用介质 Applicable medium
天然胶 Natural rubber ≤85℃	石膏浆液、石灰石浆液、回收水、工艺水、废水 Gypsum pulp, Limestone pulp, Recovery water, Process water, Waste water
三元乙丙胶 EPDM ≤100℃	

### 主要零件材料 Major Parts Material Form

名称 Name	材料 Material
阀体 Body	灰铸铁、球墨铸铁、碳钢 Grey Iron, Ductile Iron, Carbon Steel
蝶板 Disc	碳钢包覆橡胶、碳钢包覆氟塑料、不锈钢、双相不锈钢板 1.4529、C276 Carbon steel wrapped rubber, Carbon steel wrapped fluorine plastic, Stainless steel, duplex stainless steel
阀座 Seat	天然橡胶、三元乙丙、氟橡胶 NBR, EPDM, PTFE
阀杆 Stem	不锈钢 Stainless steel、2Cr13、304
电动装置 Electric device	天津二通 Tianjin Ertong



### 主要外形尺寸 Main Outline Dimensions

DN (mm)	PN (MPa)	L	D	D1	Z-Φ	H	H1	A	B	重量(kg) Weight
50	1.0	108	165	125	4-18	460	369	418	308	36
65		112	185	145	4-18	493	389	418	308	39
80		114	200	160	8-18	506	399	418	308	42
100		127	220	180	8-18	549	414	418	308	45
125		140	250	210	8-18	568	439	418	308	53
150		140	285	240	8-22	585	454	418	308	55
200		152	340	295	8-22	766	589	418	308	87
250		165	395	350	12-22	815	609	418	308	102
300		178	445	400	12-22	880	660	585	275	158
350		190	505	460	16-22	962	698	585	275	169
400		216	565	515	16-26	1038	740	585	275	238
450		222	615	565	20-26	1087	760	585	275	286
500		229	670	620	20-26	1204	852	729	355	333
600		267	780	725	20-30	1378	932	729	355	474
700	0.6	229	860	810	24-26	1558	1026	1120	597	376
700	1.0	292	895	840	24-30	1558	1026	1120	597	601
800	0.6	241	975	920	24-30	1648	1066	1120	597	460
800	1.0	318	1015	950	24-33	1648	1066	1120	597	736
900	0.6	241	1075	1020	24-30	1762	1124	1120	597	580
900	1.0	330	1115	1050	28-33	1762	1124	1120	597	928
1000	0.6	300	1175	1120	28-30	1926	1204	1120	591	760
1000	1.0	410	1230	1160	28-36	1926	1204	1120	591	1216
1100	0.6	350	12305	1240	28-33	2080	1320	1114	820	980
1100	1.0	440	1340	1270	32-36	2080	1320	1114	820	1568
1200	0.6	350	1405	1340	32-33	2215	1420	1114	820	1210
1200	1.0	470	1455	1380	32-36	2215	1420	1114	820	1936

采用标准  
Technical Specification

设计标准 Design standard: GB12238; 结构长度 Face to face: GB12221; 法兰 Flanged: GB/T17241.6; PN1.0MPa/PN0.6MPa